

DOL 90 Water Meter

Technical Info



1 Product description

The DOL 90 water meter is especially designed for use in connection with controllers.

DOL 90 water meter is available in 3 different types for different water flows. The housing of the water meter is made of composite polymer plastic and is equipped with a filter at the inlet end. The flow can be read on a mechanical counter via an externally connected counter, which is controlled by a switch incorporated in DOL 90.

A small impeller is placed in the flow pipe of DOL 90. It is rotated by the water flow. The rotation of the impeller is directly proportional to the flowing water quantity per unit of time. The rotations are transmitted through a gear to the mechanical counting mechanism. The electric switch is activated by a magnet mounted on a gear.

DOL 90 can be integrated in any water system requiring exact recording of water consumption. The connection is easily made by means of the enclosed unions. The water meter is to be mounted in a horizontal or vertical position. The counting mechanism can be rotated to facilitate reading. When mounting the water meter please make sure that it is placed in front of a pressure valve, if any.

The connection of an external resistor may be necessary to ensure the limiting through the water meter.

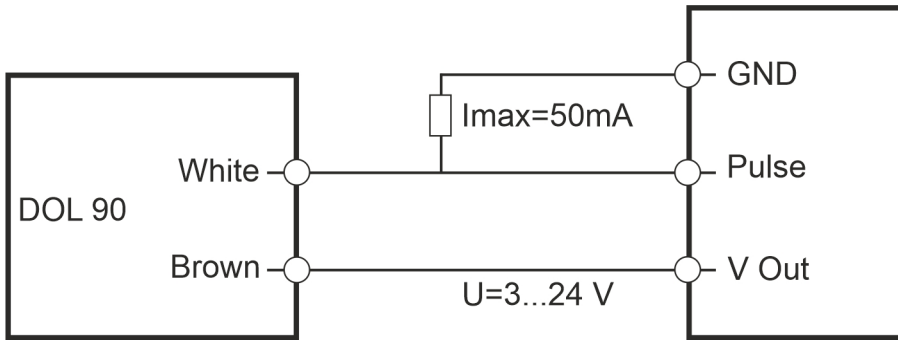


Figure 1: Example of mounting of a resistor pull-down

2 Product survey



130200 DOL 90, 1 IMP/1 liter

Nominal flow quantity = 1,500 liter/hour

Max. flow quantity = 2,500 liter/hour

Connection threads: 1/2"



130203 DOL 90, 1 IMP/2.5 liter

Nominal flow quantity = 1,500 liter/hour

Max. flow quantity = 2,500 liter/hour

Connection threads: 1/2"

Is used as a spare part for the controllers DOL 95, DOL 34H or DOL 36.



130207 DOL 90, 1 IMP/5 liter

Nominal flow quantity = 2,500 liter/hour

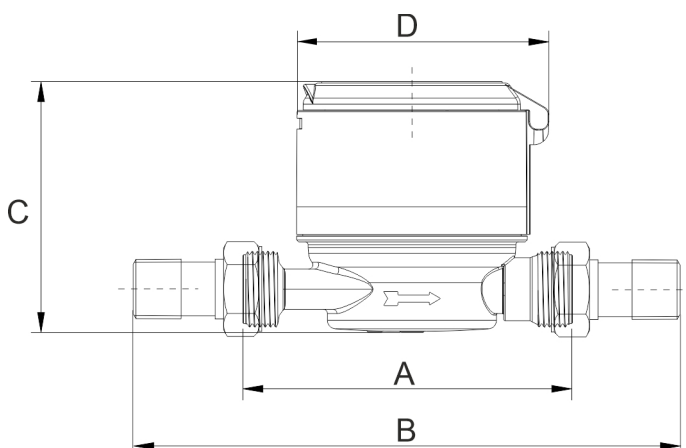
Max. flow quantity = 4,000 liter/hour

Connection threads: 3/4"

3 Technical data

		130200 DOL 90, 1 IMP/1 liter	130203 DOL 90, 1 IMP/2.5 liter	130207 DOL 90, 1 IMP/5 liter
Max. flow quantity	l/h	2500	2500	4000
Nominal flow quantity	l/h	1500	1500	2500
Min. flow mounted horizontal	l/h	31	31	50
Min. flow mounted vertical	l/h	63	63	100
Pressure loss at nominal flow quantity	bar	0.63		
Max. operating pressure	bar	16		
Min. quantity readable	l	0.02		
Max. quantity readable	m ³	99999.999	99999.99	
Max. water temperature	°C	30		
Connection threads	"	1/2"	1/2"	3/4"
Reed contact	V AC/mA V DC/mA	24/50 24/50		
Cable length	meter	2		
Protection class	IP	68		
Dimensions A:	mm	110	110	130
Dimensions B:	mm	190	190	226
Dimensions C:	mm	85	85	87.5
Dimensions D:	mm	75		
Packing dimensions H x W x D	mm	110 x 97 x 123		110 x 97 x 143
Shipping weight	g	270	270	290

3.1 Dimensioned sketch



SKOV A/S • Hedelund 4 • Glyngøre • DK-7870 Roslev
Tel. +45 72 17 55 55 • www.skov.com • E-mail: skov@skov.dk

