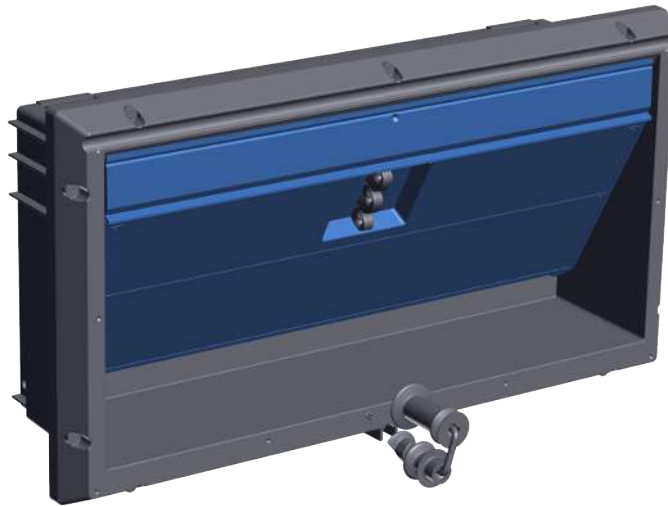


# DA 1211 Flange Inlet

## Technical Info



## **1 Product description**

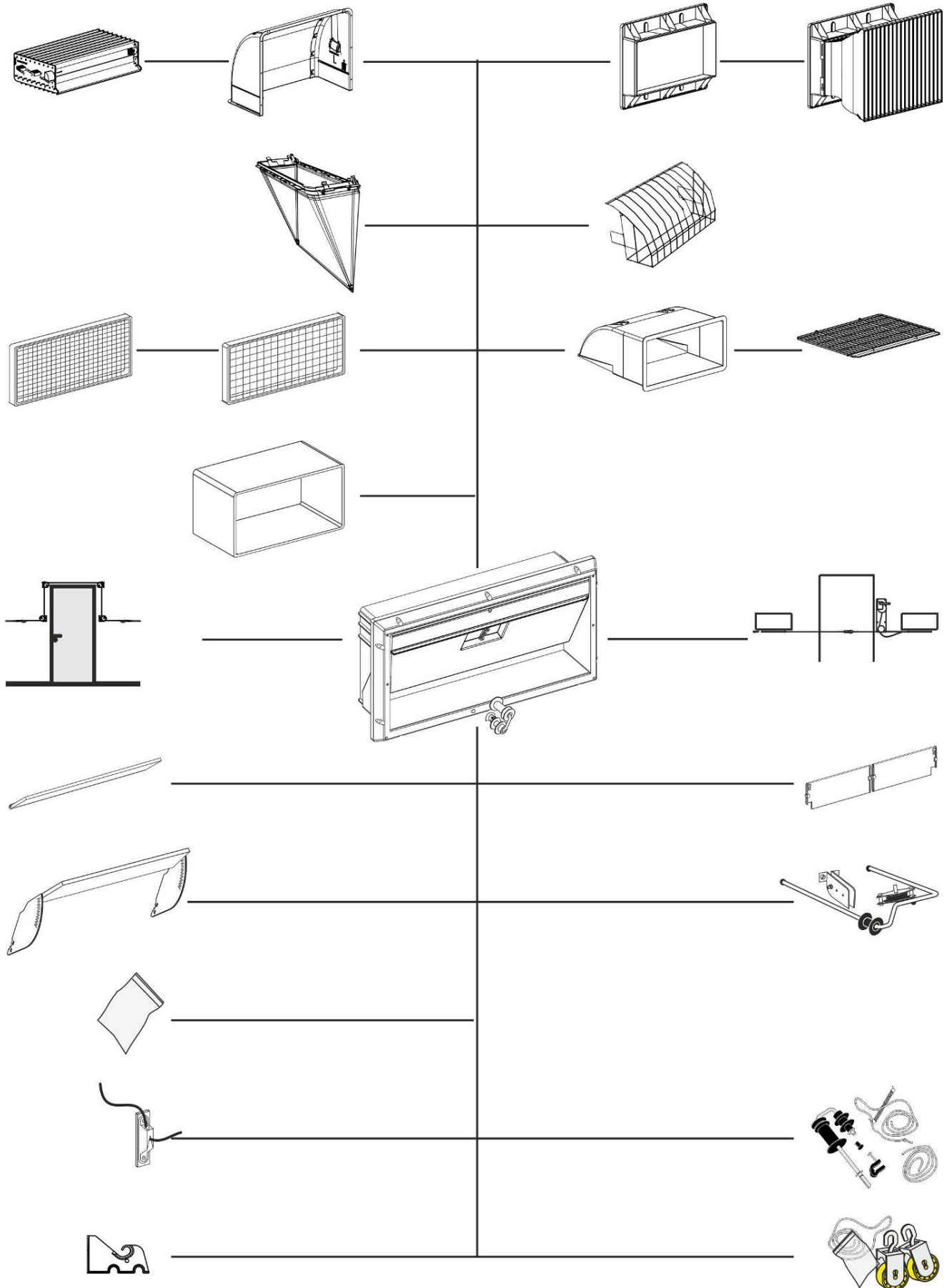
Flange inlet DA 1211 is a universal wall inlet which is used for ventilating livestock houses with natural, LPV or Combi-Tunnel ventilation.

The flange inlet can be adapted to wall thicknesses up to 50 cm employing an extension piece. The inlet is fixed on the inside wall by screws through the flange itself. It cannot be built or cast directly into wall elements.

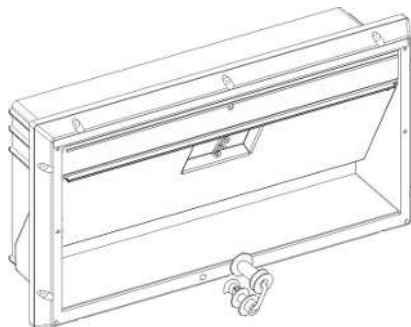
The Advanced inlet control of the inlets is patent pending and is supplied with a regulation set which makes it easy to adjust the air inlet in accordance with the current conditions.

The inlet is easy-to-clean due to its open and smooth construction. Also, the thermoplastic stands high-pressure cleaning. Furthermore, the choice of material makes the inlet resistant to UV radiation. The inlet is made of high-impact material; it is dimensionally stable and 100% recyclable.

## 2 Product survey



## 2.1 Flange inlet

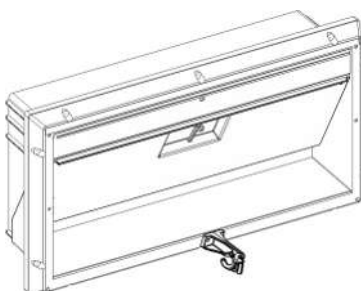


### 433011 DA 1211 flange inlet 11 cm

### 433160 DA 1211 flange inlet with transp. flap

DA 1211 is used for light constructions. The inlet can be adapted to all standard wall thicknesses using an extension. The inlet flap is insulated and the springs are made of stainless steel.

The inlet is supplied with regulation set and parts for Advanced Inlet Control.

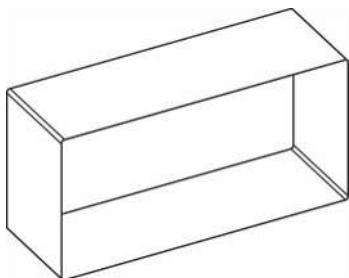


### 433008 DA 1211B flange inlet 11 cm

DA 1211B is used for light constructions. The inlet can be adapted to all standard wall thicknesses using an extension. The inlet flap is uninsulated and the springs are galvanized. Advanced Inlet Control is not possible for DA 1211B.

The inlet is supplied with regulation set.

## 2.2 Accessories



### 433047 DA 1211 extension piece 20 cm

Used for wall dimensions from 12 to 28 cm.

### 433049 DA 1211 extension piece 30 cm

Used for wall dimensions from 17 to 38 cm.

### 433051 DA 1211 extension piece 40 cm

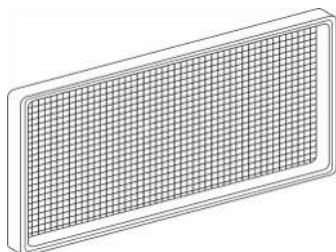
Used for wall dimensions from 22 to 49 cm.

### 433052 DA 1211 extension piece 100 cm

Used for wall dimensions from 50 to 95 cm.

Extension piece is used together with DA 1211 and DA 1211B when the wall thickness exceeds 11 cm.

An extension piece can as a maximum be divided into two pieces if net is applied.



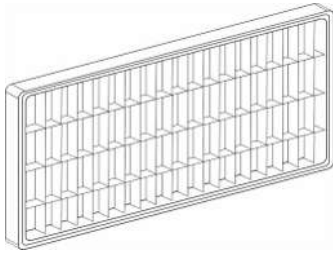
### 433016 DA 1200 net, fine 10x10 mm

The net for 1211/1211B is ordered separately. Fine net prevents the ingress of mice and rats.

Net size 10x10 mm. Self-supporting, but it is recommendable to fasten it with screws if used together with the extension.

Fine net reduces inlet capacity by approx. 10 %.

One per inlet.

**433015 DA net, coarse 65x20 mm**

The net for DA 1211/1211B is ordered separately.

Net size 65x20 mm. Self-supporting, but it is recommendable to fasten it with screws if used together with the extension.

Coarse net does not reduce the inlet capacity.

One per inlet.

**433117 DA 1211/1911 net holder set for 25 inlets**

The net holder is used for mounting the net when mounting is required on the outer wall instead of directly on the inlet, for example, at deep window openings.

Contains 100 pcs.

One set for each 25 inlets.

**433043 DA 1211/1911 screw kit f. flange, 10/5 set**

Used for mounting of flange inlet. Contains 40 4.8x70 tapping screws.

**433025 DA 1200/1900 screw kit f. flange, 10/5 set**

Is used for fastening of net in connection with extensions on DA 1211/1211B/1900 inlets. Includes the required number of 5x30 mm stainless screws.

One set for each six inlets.

**433054 DA 1211 screw kit x 10 f. ceiling mount**

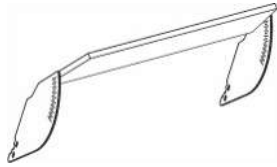
Used when DA 1211 is used for Combi-Diffuse.

One set for each 10 inlets.

**433112 DA 1200 air direction baffle, short**

The air direction baffle is 7.5 cm. Air direction baffle (short/long) can be used for adjusting the air jet under cold weather conditions and to avoid adhesion on the wall. The baffle is used for all inlets. However, in connection with 2 rows of inlets the baffle is only required for the top row if the inlets are placed right above each other.

One per inlet or one for every second inlet.



**433114 DA 1200 air direction baffle, long incl. side plate**

The air direction baffle is 15 cm and includes side plates. Air direction baffle (short/long) can be used for adjusting the air jet under cold weather conditions and to avoid adhesion on the wall. The baffle is used for all inlets. However, in connection with 2 rows of inlets the baffle is only required for the top row if the inlets are placed right above each other.

Long air direction baffle is applied where the air jet range and Coanda-effect are particular important, for instance in wide livestock houses.

One per inlet or one for every second inlet.



**433014 DA 1200 baffle plate**

For reduction of external actions on the DA 1200 or DA 1211/1211B, baffle plates are offered in connection with one or more of the following conditions:

- The volume of the livestock house is low (narrow and low livestock house with a flat ceiling)
- In detached wind-affected buildings without windbreaks and the like.

The baffle plate must be mounted on all inlets in the same room and are not to be used together with Advanced Inlet Control.

The baffle plate increases the requirements to the tightness of the building and cannot replace external windshield.

The baffle plate does not reduce the inlet capacity.

One per inlet.



**560195 DA 1200 regulation set w. long U-shackle**

Used where obstacles such as lopsided walls, steel trusses projecting up to 70 mm out from the wall, etc. impede the free movement of the pull rod. The current system of Advanced inlet control cannot be used with the kit and therefore an extra string with spring to reduce the slack is included by which you can make Advanced inlet control.

The inlet flap should as a maximum open to a horizontal position; otherwise it may overload the winch motor.

One per inlet.



**433039 DA 1200 extension piece 240 mm**

**S433037B DA 1200 extension piece 400 mm, type B**

The extension rod is used if you want to run the pull rod round heavy concrete pillars or the like, where it is not possible to run the pull rod directly through the pillar by making a through-going hole. The extension rod is made of stainless steel.

One per inlet.



**401902 DA 1000/1200 single operation set**

If individual operation of each inlet is required, DA 1200 single operation set is mounted.

One per inlet.



#### 401349 All-purpose holder for pull rod

If the distance between the inlets exceeds 2 m, the pull rod will bend downwards causing inaccuracies if all-purpose holders are not used.

One unit for each 2 meters free-hanging pull rod.



#### 433021 DA 1200 regulation set for 2 inlets

DA 1200 regulation set for 2 inlets at different heights.

A pull rod row for each row of inlets is preferred and using 433021 should therefore be regarded as a cheaper alternative.

One for each inlet in the upper row.



#### 413214 LPV door set for pull rod 8 mm

If there are doors or the like in the wall where the inlets are mounted and you temporarily want to end the pull rod, a special kit containing the necessary parts can be acquired. The kit makes it possible to manually maintain correct ventilation level and easily reestablish the pull rod.

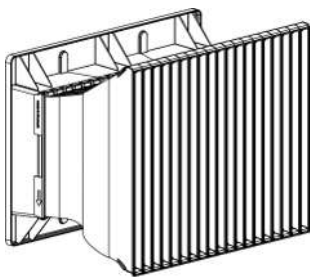
One per door.



#### 413223 Door set for wire tension

The mounting set is used where the pull rod is directed along the door frame by means of wire and reels.

One per door.

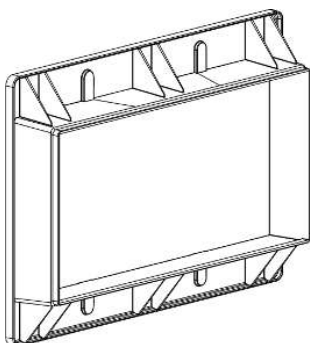


#### 433065 DA 1211 light trap complete

Used for DA 1211/1211B flange inlet if dimming of light is required.

The light-tightness of the light trap is 99.9 %, corresponding to 20,000 lux outside and 0.05 lux inside (0.05 lux corresponds to 2.5 ppm).

One per inlet.



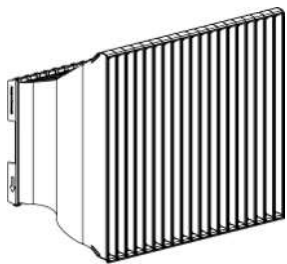
#### 433281 DA 1211 external flange

The flange is included in 433065 but can also be mounted on the outside in connection with DA 1211/1211B flange inlets to

- increase the output to the same level as DA 1200. Correct the number of inlets, if needed.
- make a nicer finish on the outside of the building and the net can subsequently be mounted on the flange.

433281 can be used when the lateral distance between the inlets is 5 cm or less.

One per inlet.



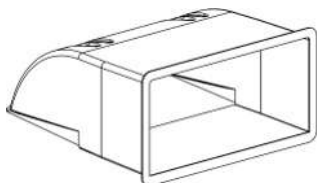
**433066 DA 1200 light trap ex. flange**

Used for retrofitting on DA 1200/1211/1211B when the flange is already on the building and light dimming is required.

The light-tightness of the light trap is 99.9 %, corresponding to 20,000 lux outside and 0.05 lux inside (0.05 lux corresponds to 2.5 ppm).

One per inlet.

---



**433056 DA 1211 1211 inlet sleeve, SKOV**

DA 1211 sleeve can be used in connection with DA 1211/1211B flange inlet. The use of inlet sleeve ensures a waterproof assembly with a good finish.

The inlet sleeve is designed to keep drifting snow out and mitigate the effect of wind on the inlet performance. Also, the inlet sleeve has a certain light dimming effect.

The mounting of an inlet sleeve does not affect the output of DA 1211/1211B (m<sup>3</sup>/h).

The inlet sleeve can be used in connection with 433281.

One per inlet.

---



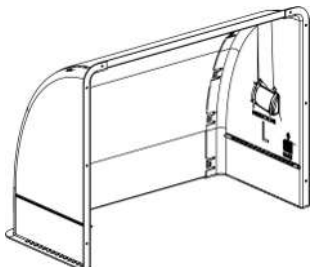
**433058 DA 1211 net for inlet sleeve**

The net is used together with 433056 DA 1211 inlet sleeve so that birds are prevented from entering the livestock house.

When the net is mounted on the inlet sleeve, the output (m<sup>3</sup>/h) of the air inlet is reduced by approx. 4% at the same pressure.

One per inlet sleeve.

---



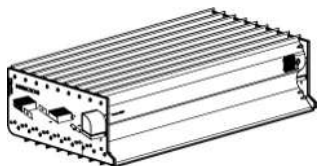
**433155 DA 1200 inlet cover**

DA 1200 inlet cover can be used together with the inlets of the DA 1200 series.

The inlet cover is designed to protect the livestock house against rain/snow and to provide a certain amount of wind and light dimming effect.

One per wall inlet.

---



**433312 DA 1200 light trap for inlet cover**

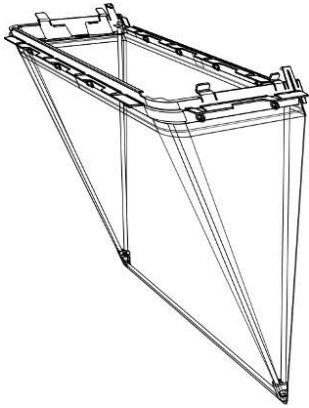
DA 1200 light trap for inlet is always used together with DA 1200 inlet cover.

The light trap prevents a large amount of daylight from seeping into the building ("brown out"). The light trap is made of injection-molded PP (polypropylene) which is dirt-repellent and easy to clean.

Use one for each DA 1200 inlet cover.

---





#### 433334 DA 1200 fly screen

DA 1200 fly screen for inlet cover is always used together with DA 1200 inlet cover.

The fly screen prevents the ingress of flies and the screen is self-supporting.

Can only be used for inlets in 1 row.

With regular and sufficient cleaning, the capacity of the inlet is not reduced by the use of the fly screen.

One per inlet.

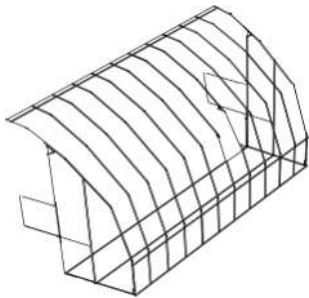


#### 433317 Fly screen - 25 m x 1.37 m

Fly screen on a roll prevents the ingress of flies.

With regular and sufficient cleaning there will be no significant pressure loss, but an emergency opening should be provided via bypass in case the fly screen is choked.

Use 1 m<sup>2</sup> fly screen per 2000 m<sup>3</sup>/h max. air.



#### 433138 DA 1200 hen net, hinged

The hen net prevents the fledged hens from sitting in the air inlet. The net is top-hinged, allowing easy access when servicing the inlet.

Screw kit (560333) is ordered separately.



#### 560333 Screw kit DA 1200/1911 hen net

The screw kit is used to mount the hen net.

1 set per hen net.

### 3 Technical data

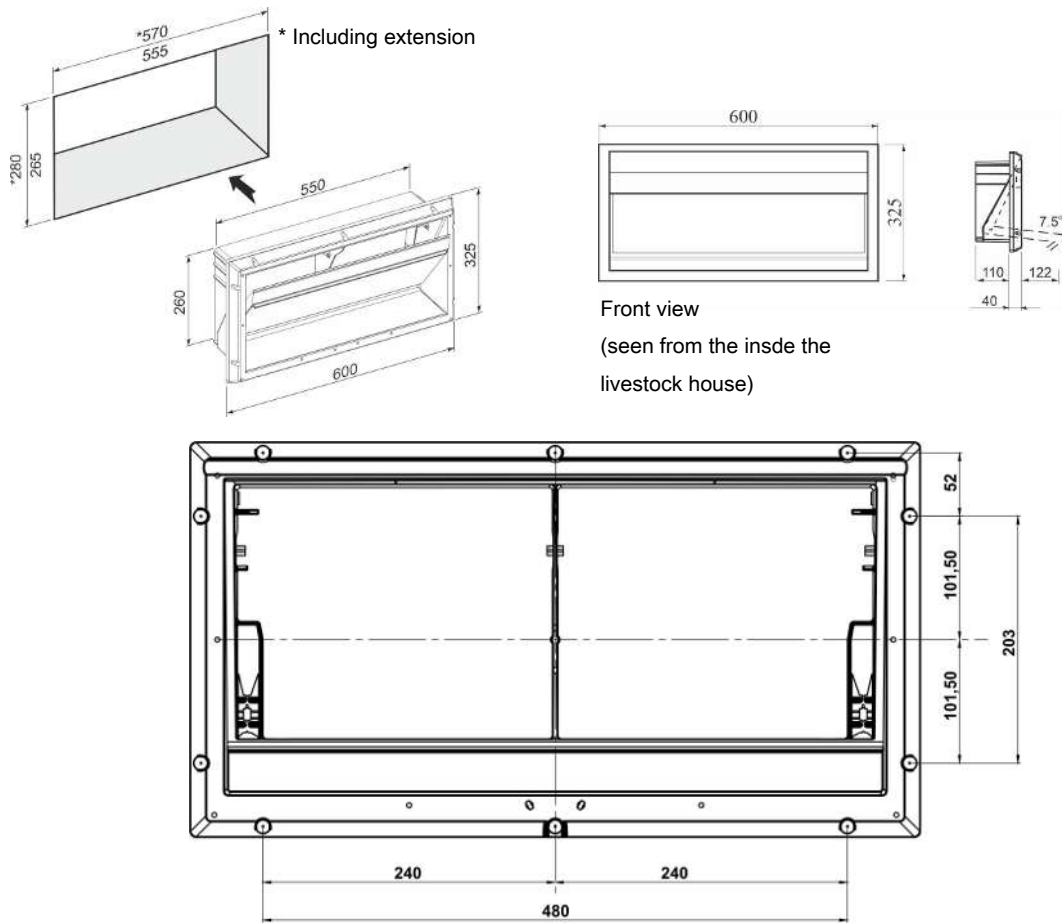
		DA 1211	DA 1211B
<b>Mechanical</b>			
Material		100% recyclable thermoplastic, high-impact material, dimensionally stable and UV stabilized	
Springs		Stainless steel	Galvanized
Color - inlet casing		Graphite gray	Graphite gray
Color - inlet flap		Blue	White
Color - light trap		Black	-
Color - sleeve		Black	-
Net size	mm		
Coarse net		65x20	
Fine net		10x10	
Tensile force per inlet	N	28	20
Tensile force with baffle plate	N	44	32
Tensile length	mm	390	390
<b>Air output at -10 Pa, wall thickness &lt; 10 cm</b>			
No accessories	m <sup>3</sup> /h	1100	
Inlet Cover	m <sup>3</sup> /h	900	
Inlet cover+ light trap	m <sup>3</sup> /h	800	
Light trap	m <sup>3</sup> /h	1000	
<b>Air output at -10 Pa, wall thickness 10-20 cm</b>			
No accessories	m <sup>3</sup> /h	1150	
Inlet Cover	m <sup>3</sup> /h	1000	
Inlet cover+ light trap	m <sup>3</sup> /h	900	
Light trap	m <sup>3</sup> /h	950	
<b>Air output at -10 Pa, wall thickness &gt;20 cm</b>			
No accessories	m <sup>3</sup> /h	1300	
Inlet Cover	m <sup>3</sup> /h	1100	
Inlet cover+ light trap	m <sup>3</sup> /h	1050	
Light trap	m <sup>3</sup> /h	1000	
<b>Environment</b>			
Temperature, operation	°C (°F)	-40 to +40 (-40 to +104)	
Storage temperature	°C (°F)	-40 to +65 (-40 to +149) – and protected against direct sunlight.	
Ambient humidity, operation	% RH	0-95 % RH	
<b>Shipment</b>			
[LxHxW] + extension	mm	1067x581x335	
Weight			
Wall inlet	g	3200	
Coarse/fine net	g	200	
Extension 20cm	g	400	
Extension 30 cm	g	600	
Extension 40 cm	g	800	

		DA 1211	DA 1211B
Extension 100 cm	g	2000	
Light trap complete	g	6000	
Light trap outside flange	g	1500	
Sleeve	g	3800	
Number of inlets per pallet	pcs.	72	

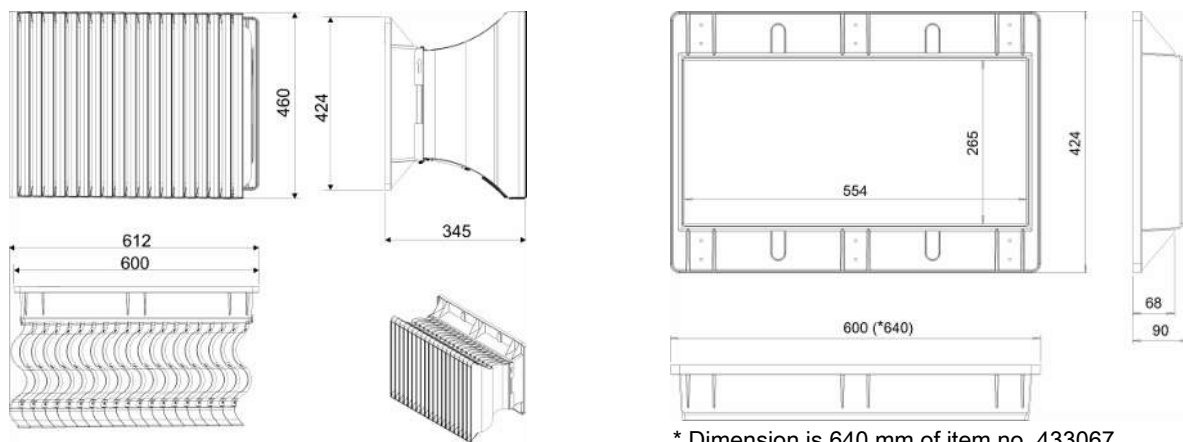
### 3.1 Dimensioned sketch

All dimensions are in mm.

#### 3.1.1 Flange inlet

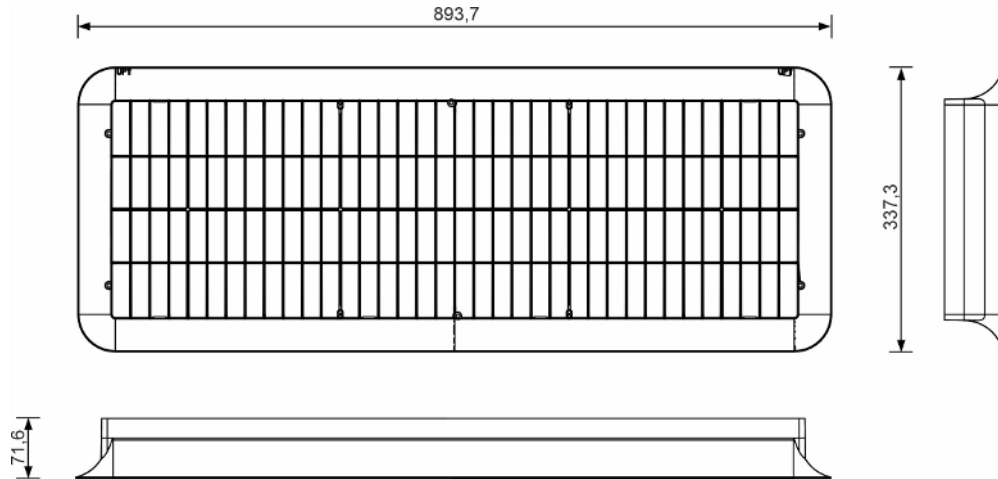


#### 3.1.2 Light trap complete/outside flange

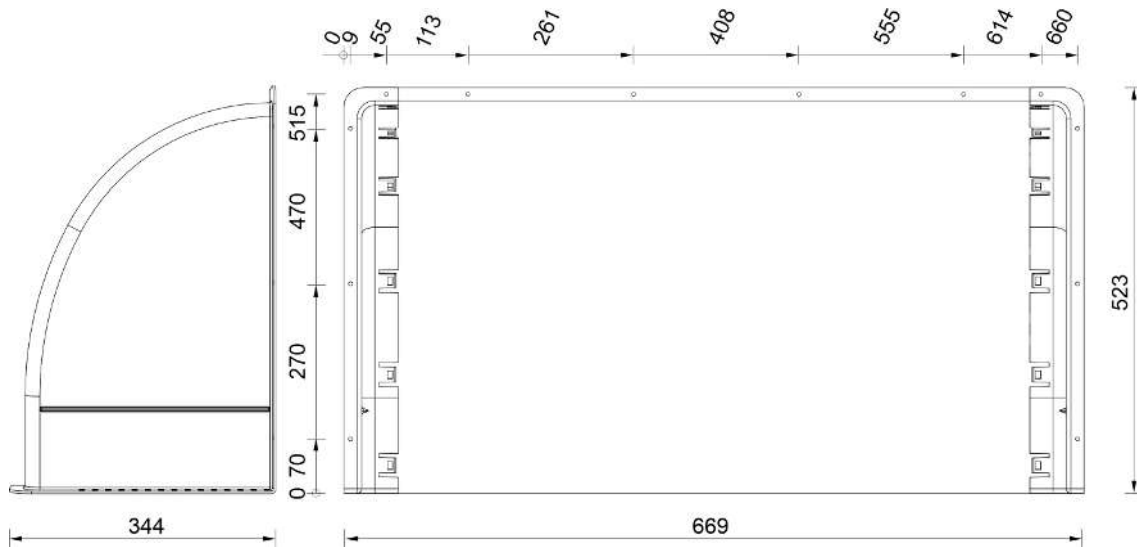


\* Dimension is 640 mm of item no. 433067.

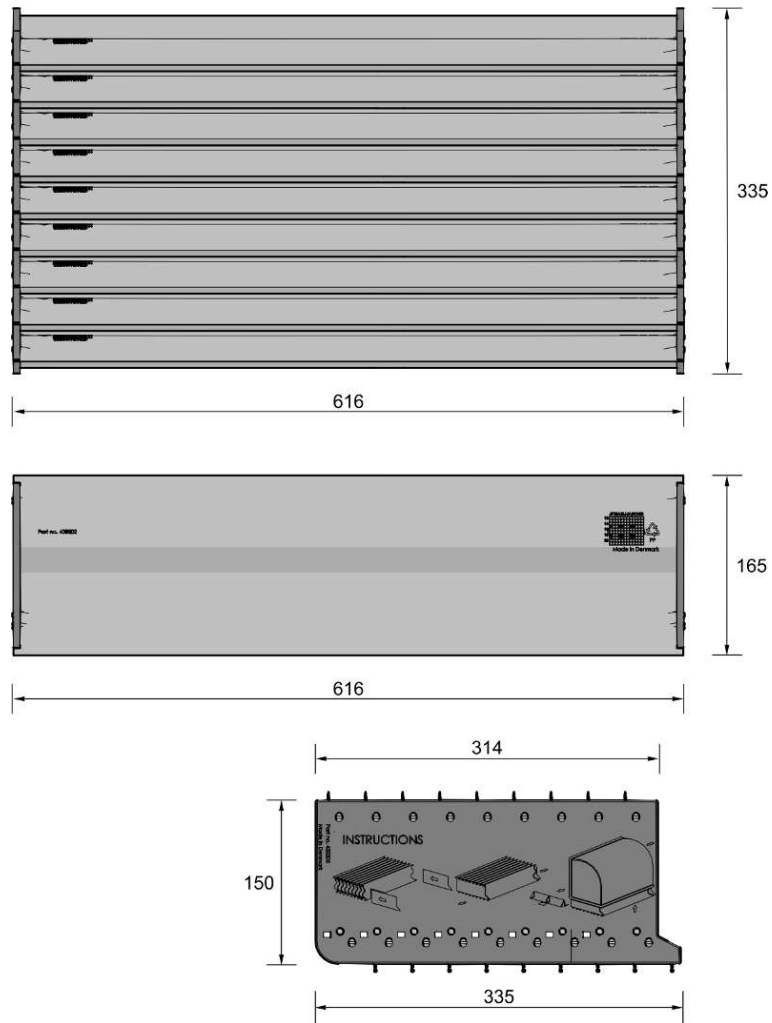
### 3.1.3 Inlet funnel



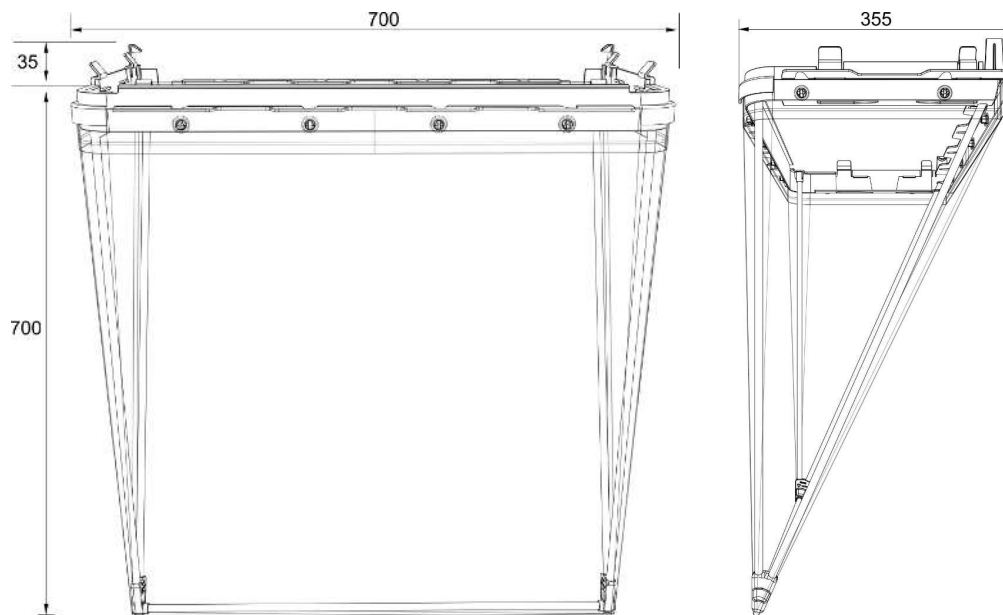
### 3.1.4 Inlet Cover



### 3.1.5 Light trap for inlet cover



### 3.1.6 Fly screen for inlet cover





SKOV A/S • Hedelund 4 • Glyngøre • DK-7870 Roslev  
Tel. +45 72 17 55 55 • [www.skov.com](http://www.skov.com) • E-mail: [skov@skov.dk](mailto:skov@skov.dk)

