

# DA 4200 Floor Heating System Adapter Kit Technical User Guide





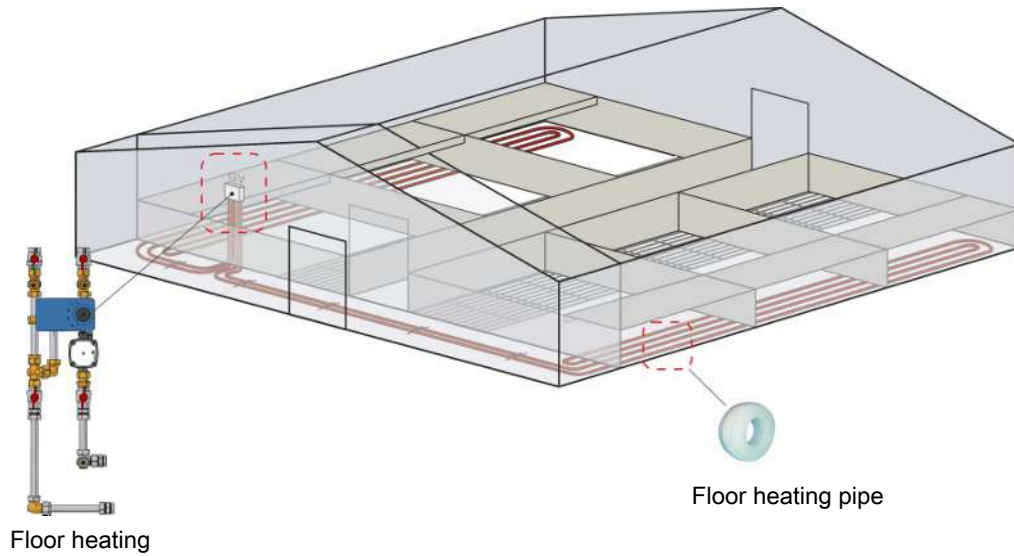
<b>1</b>	<b>Product description .....</b>	<b>4</b>
<b>2</b>	<b>Product survey .....</b>	<b>5</b>
<b>2.1</b>	<b>Floor heating .....</b>	<b>5</b>
<b>2.2</b>	<b>Accessories.....</b>	<b>6</b>
<b>3</b>	<b>Technical data .....</b>	<b>8</b>
<b>3.1</b>	<b>Dimensioned sketch .....</b>	<b>8</b>
3.1.1	DA 4200 floor heating DN 25 .....	8
3.1.2	DA 4200 floor heating DN 32 .....	9
<b>3.2</b>	<b>Flow diagram.....</b>	<b>10</b>

## 1 Product description

Floor heating systems are water-based on section level.

Floor heating unit 0-10 V can be controlled via a controller.

The heating system in the individual section typically includes some or all components mentioned below:



## 2 Product survey

### 2.1 Floor heating



#### 439378 DA 4200 floor heating unit 15-70 DN 25

Heating unit with adapter kit is used for adjustment of floor heating. Capacity of the floor heating unit is 1800 l/h.

The heating unit 0-10 V for regulation of heating is mounted on a stainless plate and includes circulation pump, 0-10 V actuator, 3-way control valve, non-return valve, ball valve and 3 x DOL 12-100C temperature sensors.

2 x DOL 12-100C temperature sensors enable monitoring of flow temperature and return flow temperature.

1 x DOL 12-100C temperature sensor is used for adjustment of the flow temperature.

The floor heating unit must be used together with the manifold kit 1+1 to manifold kit 10+10.



#### 439377 DA 4200 floor heating unit 25-125 DN 32

Heating unit with adapter kit is used for adjustment of floor heating. Capacity of the floor heating unit is 4500 l/h.

The heating unit 0-10 V for regulation of heating is mounted on a stainless plate and includes circulation pump, 0-10 V actuator, 3-way control valve, non-return valve, ball valve and 3 x DOL 12-100C temperature sensors.

2 x DOL 12-100C temperature sensors enable monitoring of flow temperature and return flow temperature.

1 x DOL 12-100C temperature sensor is used for adjustment of the flow temperature.

Use 1 heating unit per house/section.

The floor heating unit must be used together with the manifold kit 1+1 to manifold kit 10+10.



- 439561 DA 4200 floor heating manifold kit 1+1**
- 439562 DA 4200 floor heating manifold kit 2+2**
- 439563 DA 4200 floor heating manifold kit 3+3**
- 439564 DA 4200 floor heating manifold kit 4+4**
- 439565 DA 4200 floor heating manifold kit 5+5**
- 439566 DA 4200 floor heating manifold kit 6+6**
- 439567 DA 4200 floor heating manifold kit 7+7**
- 439568 DA 4200 floor heating manifold kit 8+8**
- 439569 DA 4200 floor heating manifold kit 9+9**
- 439570 DA 4200 floor heating manifold kit 10+10**

The manifold kit with bracket is used together with the floor heating unit mentioned above.

The figures specify how many supply flows + return flows can be connected. Each floor heating circuit is equipped with supply and return flow; e.g., 4 floor heating circuits thus require a manifold kit 4+4.

Is supplied complete with connection set and automatic air vent.

## 2.2 Accessories



### 439304 DA 4200 SmartHeat kit DN 25

DA 4200 SmartHeat kit is an add-on that includes a flow sensor and a software extension of the controller. SmartHeat kit is used together with DA 4200 room heating/floor heating units DN 25.

After updating and mounting of a flow sensor, the controller can measure water flow and flow and return temperatures to a house/section. Based on these recordings, the controller and FarmOnline can calculate and record the instantaneous heat consumption in kilowatts (kW) and the number of used kilowatt-hours (kWh) for the current house/section.

The controller generates an alarm if the water flow is too low and if the flow temperature is too low.

The kit includes flow sensor and USB stick with SmartHeat software.

The SmartHeat software can only be installed on controllers with software version 8.0 or later.



### 439305 DA 4200 SmartHeat kit DN 32

DA 4200 SmartHeat kit is an add-on that includes a flow sensor and a software extension of the controller. SmartHeat kit is used together with DA 4200 room heating/floor heating units DN 32.

After updating and mounting of a flow sensor, the controller can measure water flow and flow and return temperatures to a house/section. Based on these recordings, the controller and FarmOnline can calculate and record the instantaneous heat consumption in kilowatts (kW) and the number of used kilowatt-hours (kWh) for the current house/section.

The controller generates an alarm if the water flow is too low and if the flow temperature is too low.

The kit includes flow sensor and USB stick with SmartHeat software.

The SmartHeat software can only be installed on controllers with software version 8.0 or later.



#### 439312 DA 4200 thermometer kit ø63 mm

The DA 4200 thermometer kit ø63 mm is used for reading the flow and return temperature in heating units that are not controlled by a BlueControl controller.



#### 439471 Floor h. pipe 20mmPn6 incl./oxygen b.120Mtr./rl. 95gr 439476 Floor h. pipe 20mmPn6 incl./oxygen b. 240Mtr./rl. 95gr 439491 Floor h. pipe 20mmPn6 incl./oxygen b. 480 Mtr./rl.95gr

Floor heating pipes for laying and casting in concrete floor.



#### 439975 Tubolit pipe coil 22mm 13mm Insulation 2m

Foam insulation for insulation of floor heating pipe in areas where there is no requirement for heating of floor/heat loss. E.g. passages or under the sows in the farrowing sections.



#### 439940 Bending fittings T/pex pipe 20mm

Bracket for fixing bends of the floor heating pipe.

Bending radius = 150mm.

Secures the bend in a 90° position and prevents breakage of the pipe.



#### 439995 Flashing for floor heating – start

Protection rail for floor heating pipes above floor level.

Use one as shield of up to two circuits (up to 2+2).



#### 439996 Flashing for floor heating - next

Is used together with 439995.

Use one per commenced two circuits, in addition to the two circuits which are covered by the start module.

### 3 Technical data

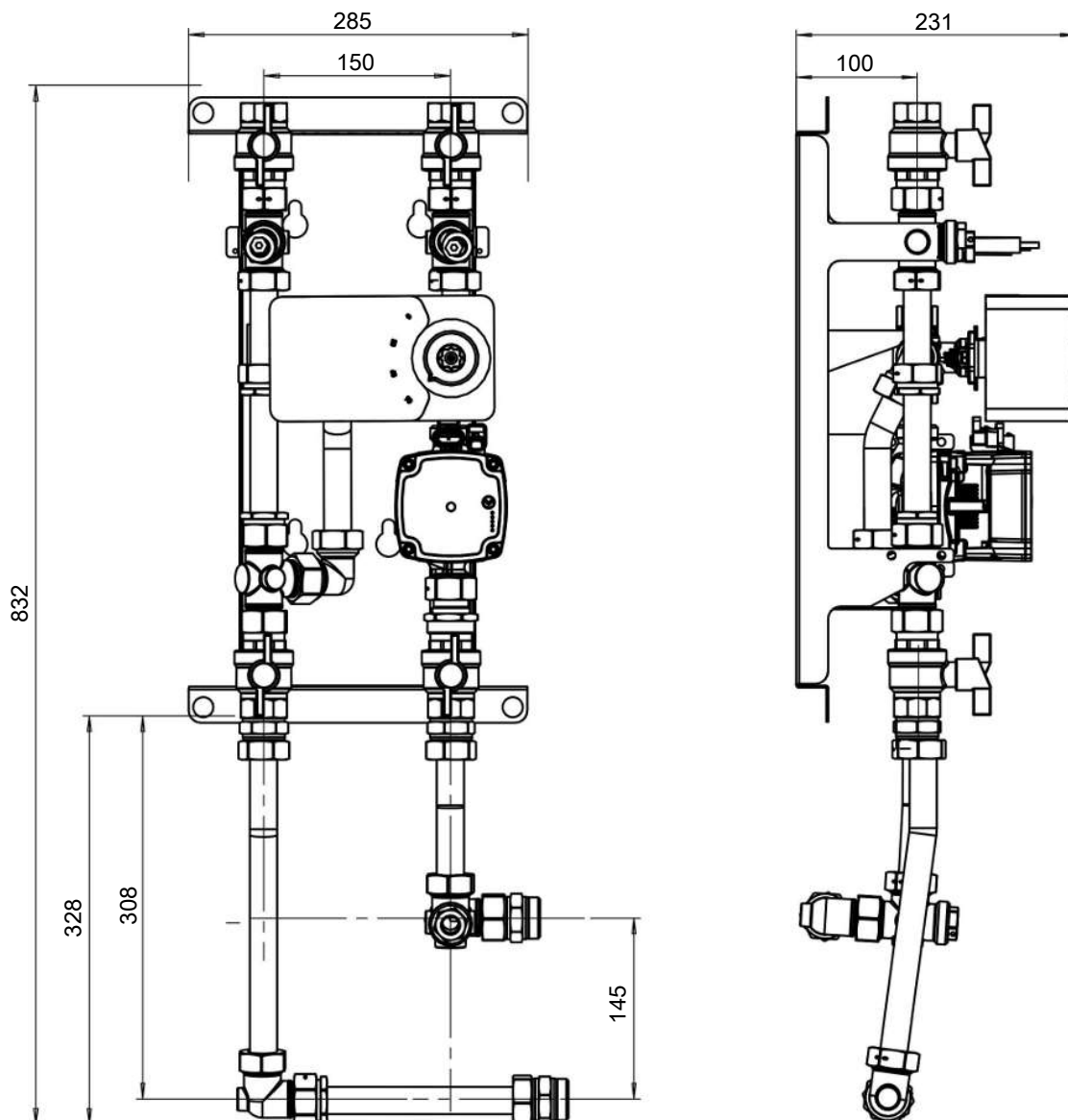
Regarding technical data, see enclosed *Technical user guide for heating system*.

		DA 4200 floor heating DN 25	DA 4200 floor heating DN 32
Dimensions LxWxH	mm	832x285x231	1023x285x231
Packing dimensions LxWxH	mm	530x315x238	671x315x238
Weight	g	-	-
Shipping weight	g	-	-

#### 3.1 Dimensioned sketch

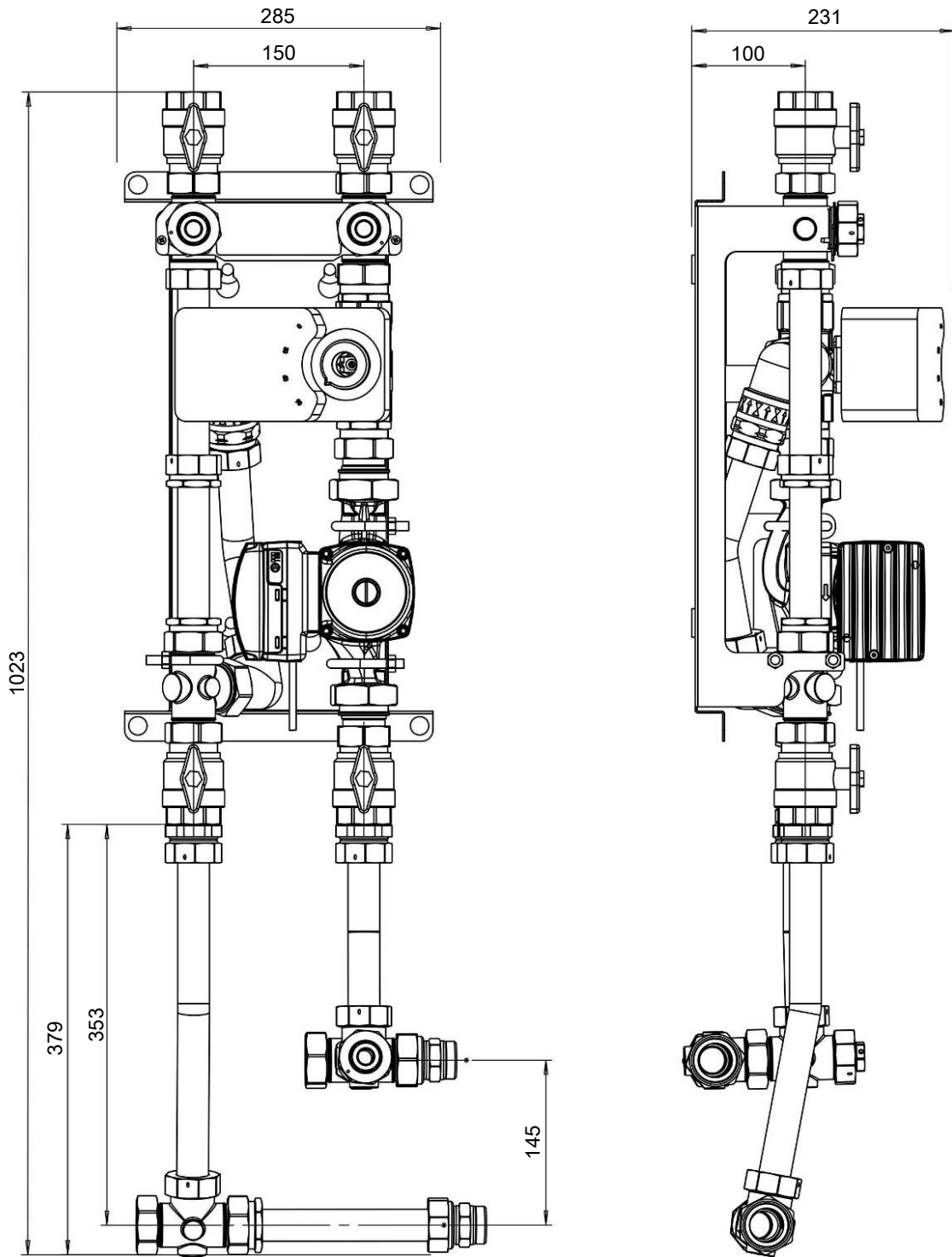
Dimensions in mm.

##### 3.1.1 DA 4200 floor heating DN 25

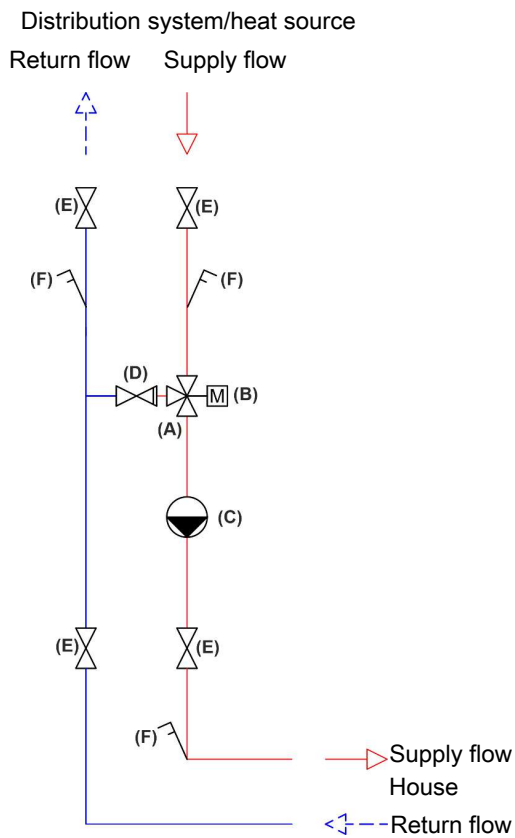




### 3.1.2 DA 4200 floor heating DN 32



### 3.2 Flow diagram



- (A) 3-way control valve
- (B) Actuator 0-10 V
- (C) Circulation pump
- (D) Non-return valve
- (E) Ball valve
- (F) DOL 12-100C temperature sensor



SKOV A/S • Hedelund 4 • Glyngøre • DK-7870 Roslev  
Tel. +45 72 17 55 55 • [www.skov.com](http://www.skov.com) • E-mail: [skov@skov.dk](mailto:skov@skov.dk)

