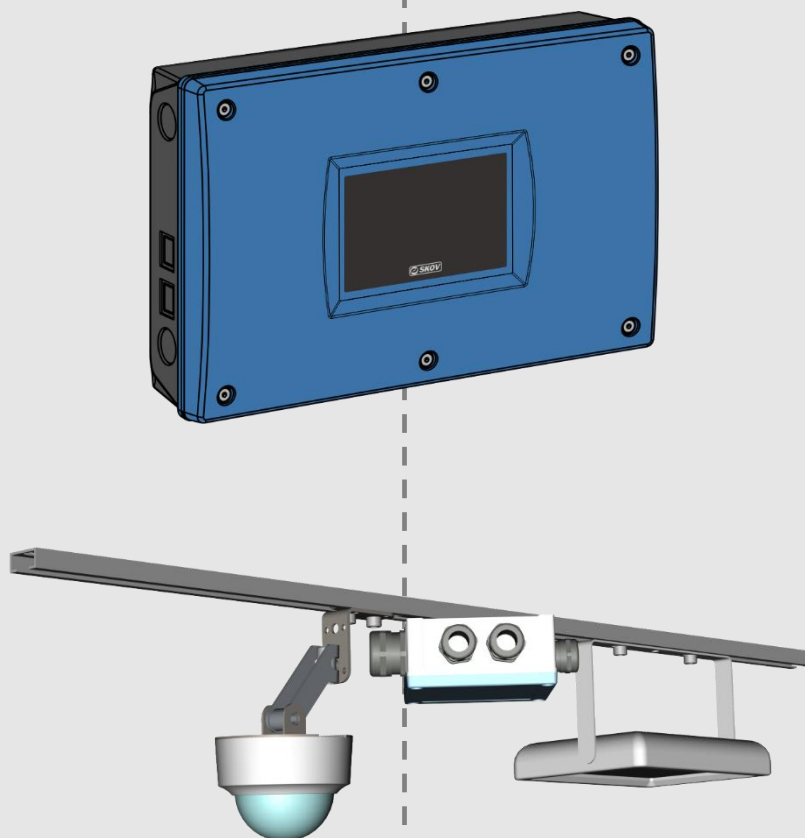


# DOL 68 Camera Weighing System

## Technical Info



## 1 Product Description

The DOL 68 CWS is used to weigh weaners or finishers. The system is part of the FarmOnline system for production monitoring of weaners and/or finishers. It requires FarmOnline Explorer version 3.4 to be installed on a PC with local internet access to DOL 68.

The camera weighing system provides the farmer valuable information about the current average weight of the pigs in a pen, and the size of the variation in the pigs' weight. The pigs' daily growth can be calculated from the measurements taken. This will enable the farmer to respond to the factors affecting the pigs' growth.

The system comprises a CWS controller and between two and four cameras. Each camera also comes with a lamp to ensure correct lighting. Each camera records a number of images every 24 hours; based on those images, the CWS controller calculates the pigs' weight, which is then used to compute the average and the variation in weight together with daily growth.

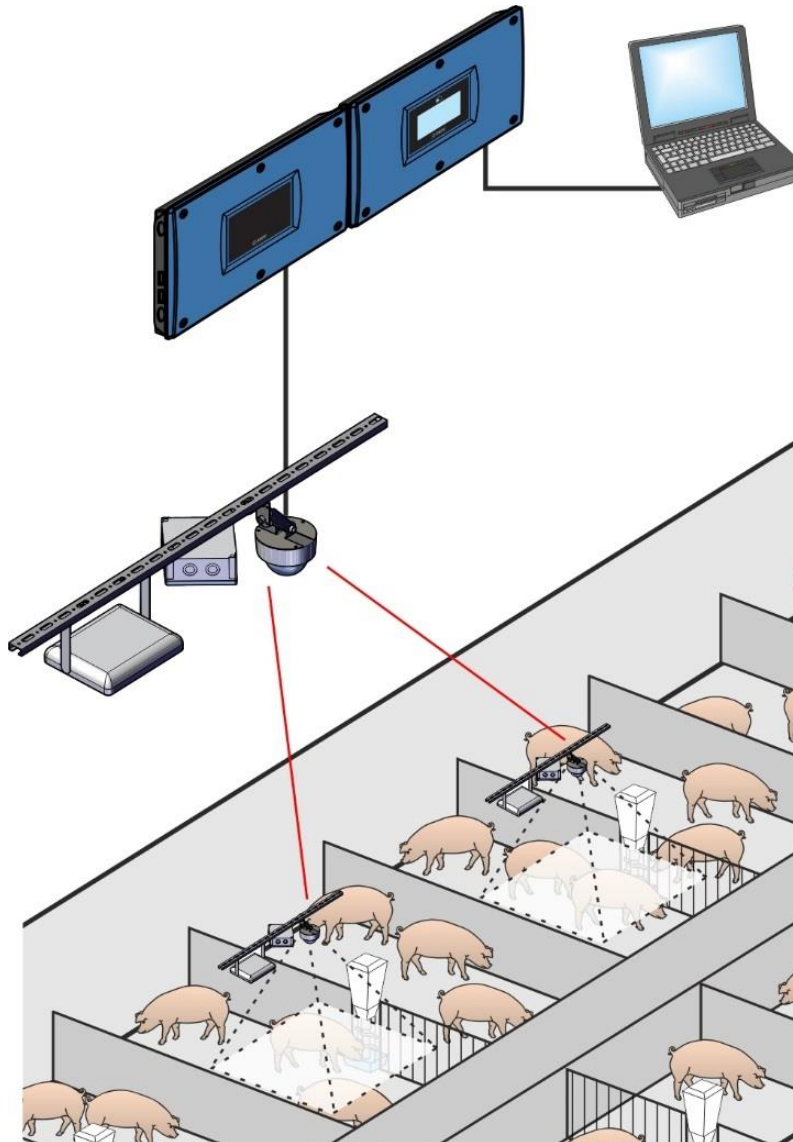
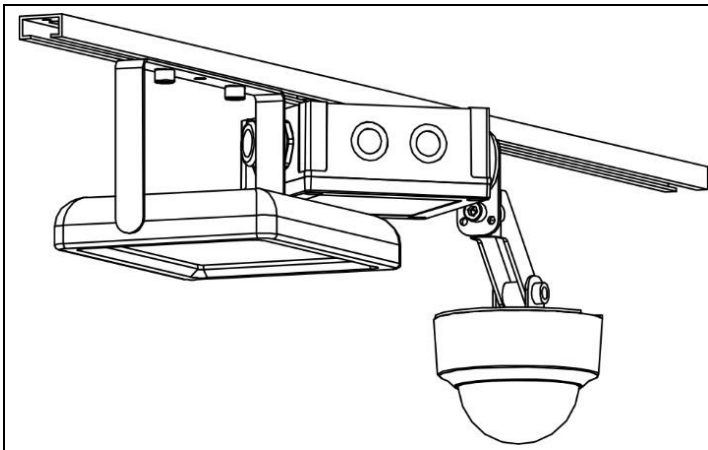


Figure 1: Camera in pen

## 2 Mounting Examples

### 2.1 DOL 68 Camera Kit Straight onto Flat Ceiling



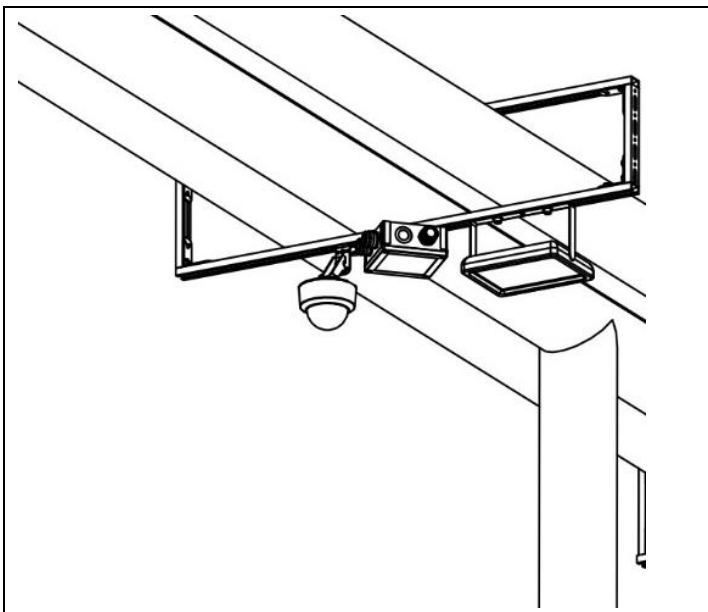
In this example, the following has been used:

1 x 130454 DOL 68 camera kit

Screws for mounting rail onto the ceiling are not supplied.

Figure 2: Example of mounting straight onto a flat ceiling

### 2.2 DOL 68 Camera Kit with Mounting Rails around Piping



In this example, the following have been used:

1 x 130454 DOL 68 camera kit

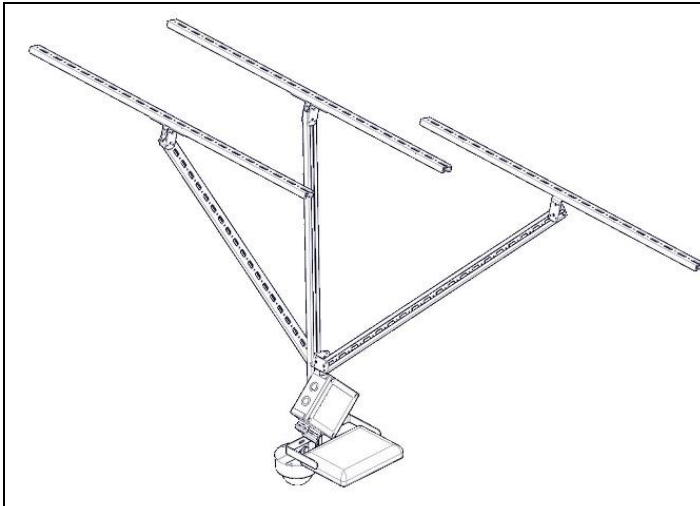
2 x 130447 DOL 68 rail mounting kit

4 x 130445 Mounting rail 15x30.5x1000 mm, A2

Screws for mounting rails onto the ceiling are not supplied.

Figure 3: Example of mounting around piping

## 2.3 DOL 68 Camera Kit with 1 m Mounting Rail



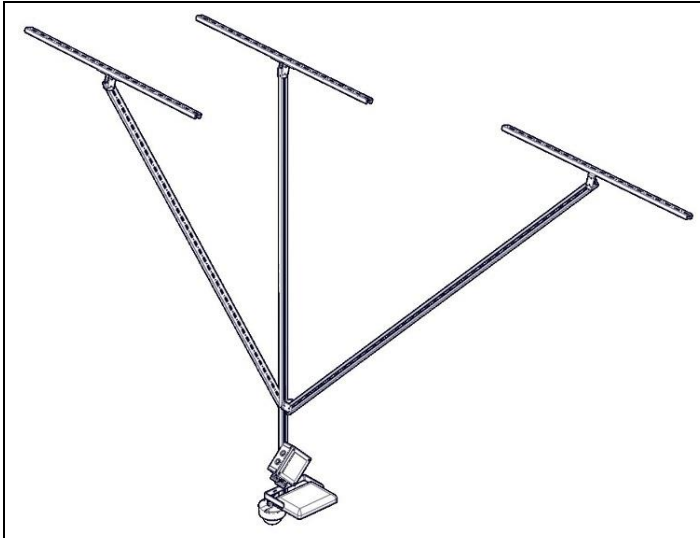
In this example, the following have been used:

1 x 130454 DOL 68 camera kit  
 3 x 130447 DOL 68 rail mounting kit  
 5 x 130445 Mounting rail 15x30.5x1000 mm, A2

Screws for mounting rails onto the ceiling are not supplied.

Figure 4: Example of mounting with 1 m mounting rail

## 2.4 DOL 68 Camera Kit with 2 m Mounting Rail



In this example, the following have been used:

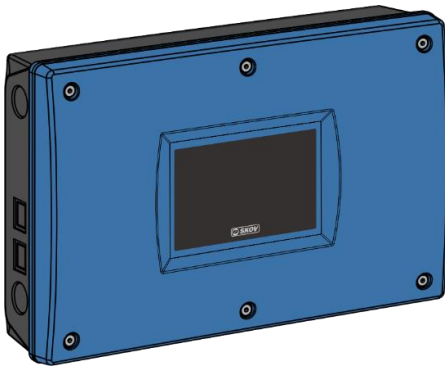
1 x 130454 DOL 68 camera kit  
 3 x 130447 DOL 68 rail mounting kit  
 2 x 130445 Mounting rail 15x30.5x1000 mm, A2  
 3 x 130446 Mounting rail 15x30.5x2000 mm, A2

Screws for mounting rails onto the ceiling are not supplied.

Figure 5: Example of mounting with 2 m mounting rail

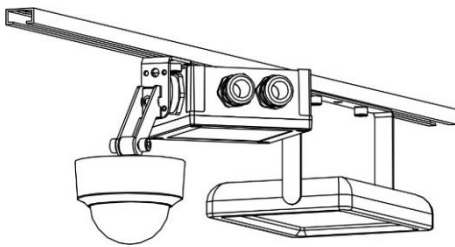
### 3 Product Survey

#### DOL 68 Camera Weighing System



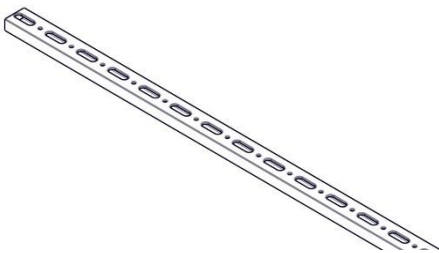
**130452 DOL 68 CWS 4IN**

Up to 4 cameras per DOL 68 CWS can be connected.  
One DOL 68 CWS per section must be used.



**130454 DOL 68 camera kit**

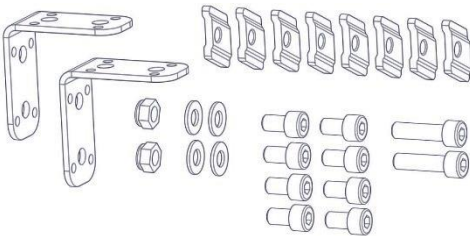
The camera kit contains camera, light, terminal box, rail and mounting fixtures.  
The camera kit can be mounted straight onto a flat ceiling if the ceiling height is correct relative to the type of animal.  
See section 2 with mounting examples.



**130445 Mounting rail 15x30.5x1000 mm, A2**

**130446 Mounting rail 15x30.5x2000 mm, A2**

For mounting DOL 68 camera kit on ceiling.  
Use the number of mounting rails necessary to position the DOL 68 camera kit correctly relative to ceiling height and type of animal.  
See section 2 with mounting examples.

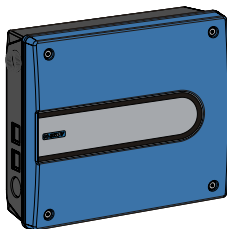


**130447 DOL 68 rail mounting kit**

Includes:

- 2 x 504051 Angle bracket 62x30x3, A2
- 8 x 352026 Machine screw M8x14 cyl Allen A2 DIN912
- 8 x 570925 M8 threaded plate
- 2 x 352824 Lock nut M8 A2 DIN985
- 4 x 352835 Washer Ø8.4/Ø17, A2
- 2 x 352027 Machine screw M8x30 cyl Allen A2 DIN912

See section 2 with mounting examples.



**130632 LAN switch 8 ports**

Use the LAN switch if extra ports are needed.  
Position switch central in the network.  
Max. 100 m CAT5e STP cable.  
Has its own 230 V AC power supply.  
8 RJ45 ports. STP cable.



**301216 Network CAT6 shielded cable 0.5 m**

**301217 Network CAT6 shielded cable 2 m**

**301218 Network CAT6 shielded cable 10m**

**301219 Network CAT6 shielded cable 30m**

## 4 Technical Data

<b>DOL 68 CWS</b>	
<b>Electrical</b>	
Rated voltage [V AC]	115 - 230 ± 10%
Operating voltage [V AC]	85 – 264
Frequency [Hz]	50 / 60
Output [W]	150
Max. current [A]	1.8 - 1.0
Inlets/outlets:	1 x RJ45 port for LAN cable to switch 4 x RJ45 ports for LAN cable to cameras
<b>Mechanical</b>	
Cable knock-out holes	30 x Ø25.5 mm for M25 cable grommet ferule. 2 x Ø40 on each side for sockets.
<b>Network</b>	
LAN cable	CAT6 or CAT5e Max. 100 m STP (shielded twisted pair)
<b>Environment</b>	
Operating temperature [°C]	-10 to +40
Storage temperature [°C]	-25 to +60
Ambient humidity, operating [% RH]	0-80
Protection class	Splash proof IP54 It is assumed that the base surface is flat, i.e. ≤ there is a 1.5 mm difference in height, and the cover screw is tightened to a minimum of 2 Nm.
<b>Shipment</b>	
Dimensions H x W x D [mm]	381 x 568 x 170
Dimensions packed H x W x D [mm]	421 x 608 x 230
Weight [g]	998
Shipping weight [g]	999

**Table 1: Technical data**



