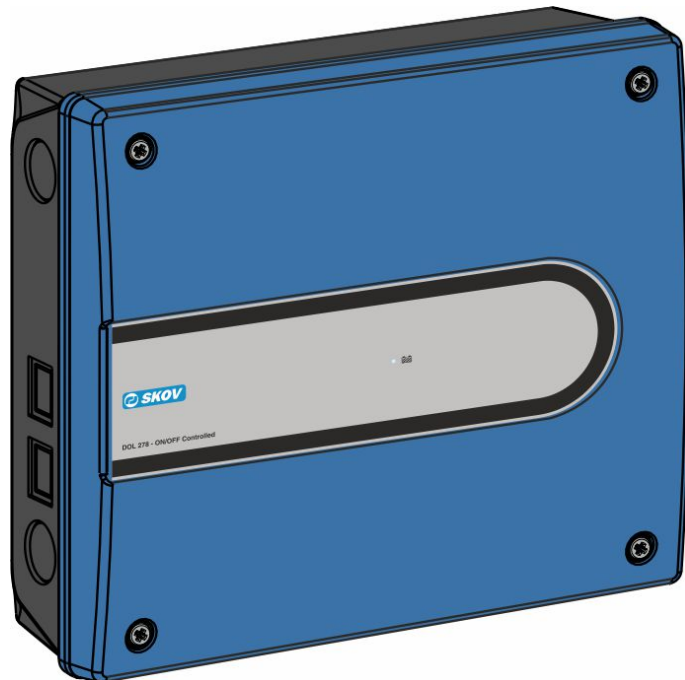


DOL 278 ON/OFF

Emergency opening

Technical Info



1 Product description

DOL 278 ON/OFF is a simple emergency opening unit, which in combination with the house controller can emergency open in case of simple types of error. In case of emergency, the system opens completely. Emergency opening is not available for all types of control failures.

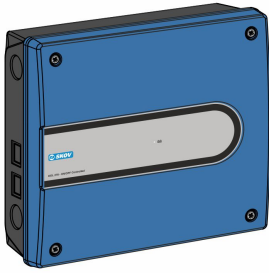
DOL 278 ON/OFF has a built-in 24 V DC motor power supply, battery and charger.

Available in the following variants:

- DOL 278 ON/OFF, Medium (4.2 A)
- DOL 278 ON/OFF, Large (8 A)
- DOL 278 ON/OFF, Xtra Large (10 A)

A mini UPS Mini Power unit is available as an accessory. This unit enables the house controller to regulate ventilation for a short period during a power failure so that emergency control via the emergency opening unit does not need to take over. The mini UPS module can be connected to an alarm system so that alarms will be generated when the module is active.

2 Product survey



134690 DOL 278AM EmergencyOpen. ON/OFF Medium 4.2A

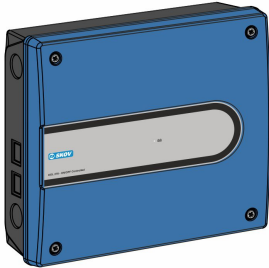
ON/OFF controlled emergency opening.

Max. power consumption: 4.2 A

Battery: 4 Ah

M Medium is including battery and a power supply. Medium supplies max. 4.2 A.

Supports e.g. 4 DA 175-600 and 20 DA 74 winch motors.



134691 DOL 278AL EmergencyOpen ON/OFF Large 8A

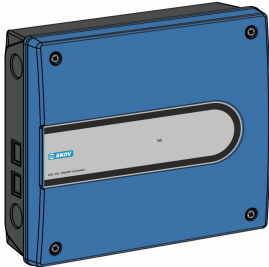
ON/OFF controlled emergency opening.

Max. power consumption: 8 A

Battery: 7 Ah

Large is including battery and two power supplies. Large supplies max. 8 A.

Supports e.g. 4 DA 175-600 and 20 DA 74 winch motors.



136700 278AXL EmergencyOpen. ON/OFF Xtra Large 10A

ON/OFF controlled emergency opening.

Max. power consumption: 10 A

Battery: 14 Ah (2x7 Ah)

Xtra Large is including battery and three power supplies. Xtra Large supplies max. 10 A.

Supports e.g. 4 DA 175-600 and 20 DA 74 winch motors.



134792 Mini-UPS, Mini-Power, Universal

Five minutes' battery backup of house controller via emergency opening battery.

For fitting or retrofitting in an emergency opening unit.

Used in areas where 230V mains failures frequently occur.

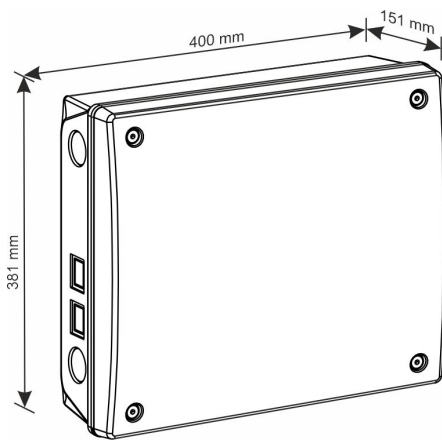
Use one Mini UPS per house controller.

Two Mini UPS can be mounted in an emergency opening unit.

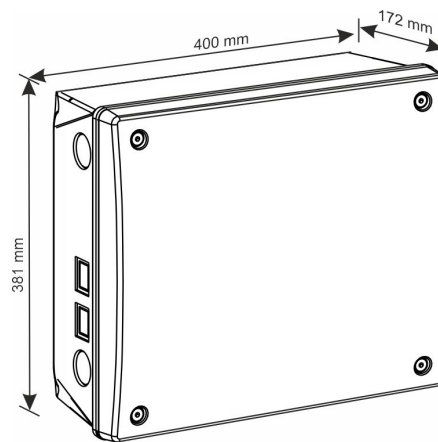
3 Technical data

		DOL 278 ON/OFF Medium	DOL 278 ON/OFF Large	DOL 278 ON/OFF Xtra Large
Electrical				
Rated voltage	[V AC]	100 – 115 / 200 – 230 ±10 %		
Operating voltage	[V AC]	90 – 126,5 / 180 - 253		
Frequency	[Hz]	50/60		
Output voltage mains operation	[V DC]	24 ± 30 %		
Output voltage battery operation	[V DC]	16-20		
Max. motor current	[A DC]	4.2	8	10
(E.g. 2 houses with each 2.1 A on one DOL 278 ON/OFF. Simultaneous motor operation in both houses is acceptable for max. 20 % of the time and for 10 minutes at a time).				
(E.g. 1 house with 4.2 A on one DOL 278 ON/OFF. Motor operation is acceptable for max. 20 % of the time and for 10 minutes at a time).				
Battery standby charge voltage	[V DC]	20.3		
Battery charge current max.	[A DC]	1.0		
Battery fuse (blue “car type” fuse with flat type connector)	[A]	15		
Battery lamp OK level	[V DC]	> 16		
Battery module, gastight lead, VRLA type		18 V 4 Ah (3 x 6V 4Ah)	18 V 7Ah (3 x 6V 7Ah)	18 V 7Ah 2 x(3 x 6V 7Ah)
Environment				
Operating temperature	°C (°F)	-10 to +45 (+14 to +113)		
Storage temperature	°C (°F)	-25 to +60 (-13 to +140)		
Protection class	IP	54 (splash-proof) It is assumed that the base surface is flat, i.e. ≤ there is a 1.5 mm difference in height, and the front panel screw is tightened to a minimum of 1.5 Nm. 1.5 Nm.		
Immunity		Electromagnetic compatibility (EMC) - Part 6-2: Generic standards - Immunity standard for industrial environments IEC 61000-6-2		
Emission		Electromagnetic compatibility (EMC) – Part 6-4: Generic standards – Emission standard for industrial environments IEC 61000-6-4		
Shipment				
Cable knockouts		20 x M25 For metrical cable glands		
Dimensions (H x W x D)	[mm]	381 x 400 x 151	381 x 400 x 172	
Dimensions crated H x W x D	[mm]	425 x 555 x 195		
Weight	[g]	7900	9000	12000
Shipping weight	[g]	9500	11000	13100

3.1 Dimensioned sketch



Medium, Large



Xtra Large

SKOV A/S • Hedelund 4 • Glyngøre • DK-7870 Roslev
Tel. +45 72 17 55 55 • www.skov.com • E-mail: skov@skov.dk

